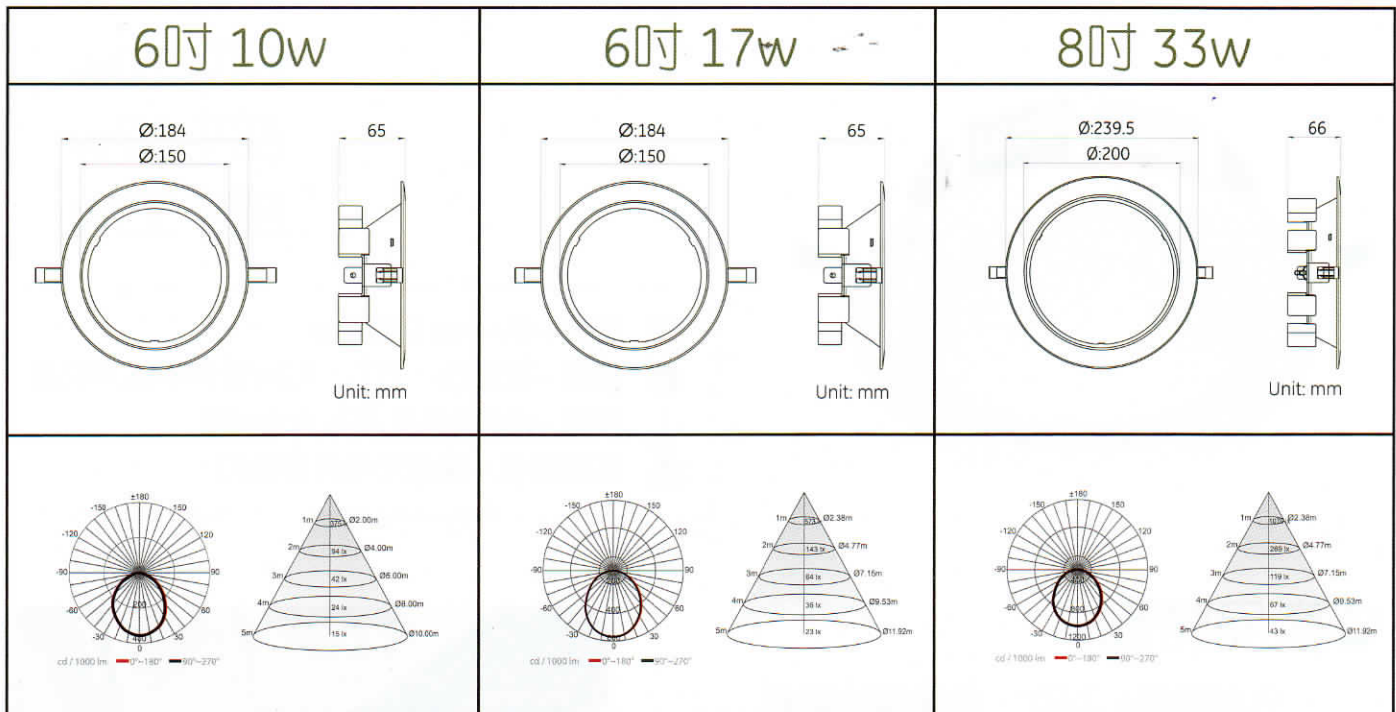


## 尺寸圖/照度圖



## 技術規格/訂購資訊

| 產品代碼 | 69224               | 69223               | 69129              | 69127              | 69130              | 69128              |
|------|---------------------|---------------------|--------------------|--------------------|--------------------|--------------------|
| 產品敘述 | LDLT17W6CW10P (10W) | LDLT17W6WW10P (10W) | LDLT17W6CW         | LDLT17W6WW         | LDLT33W8CW         | LDLT33W8WW         |
| 功率   | 10W                 | 10W                 | 17W                | 17W                | 33W                | 33W                |
| 替代瓦數 | 40W                 | 40W                 | 75W                | 75W                | 125W               | 125W               |
| 電壓   | AC 100-240          | AC 100-240          | AC 100-240         | AC 100-240         | AC 100-240         | AC 100-240         |
| 頻率   | 50/60 Hz            | 50/60 Hz            | 50/60 Hz           | 50/60 Hz           | 50/60 Hz           | 50/60 Hz           |
| 功率因數 | ≥ 0.9               | ≥ 0.9               | ≥ 0.9              | ≥ 0.9              | ≥ 0.9              | ≥ 0.9              |
| 色溫   | 5000K               | 3000K               | 5000K              | 3000K              | 5000K              | 3000K              |
| 壽命   | ≥ 25,000 hrs (L70)  | ≥ 25,000 hrs (L70)  | ≥ 25,000 hrs (L70) | ≥ 25,000 hrs (L70) | ≥ 25,000 hrs (L70) | ≥ 25,000 hrs (L70) |
| 光通量  | 750 lm (±10%)       | 600 lm (±10%)       | 1600 lm (±10%)     | 1280 lm (±10%)     | 3000 lm (±10%)     | 2400 lm (±10%)     |
| 光效   | 75 lm/W             | 60 lm/W             | 80 lm/W            | 64 lm/W            | 86 lm/W            | 69 lm/W            |
| 演色性  | ≥ 80                | ≥ 80                | ≥ 80               | ≥ 80               | ≥ 80               | ≥ 80               |
| 光束角  | 95°                 | 95°                 | 95°                | 95°                | 100°               | 100°               |
| 調光功能 | NO                  | NO                  | NO                 | NO                 | NO                 | NO                 |
| 重量   | ~350g               | ~350g               | ~400g              | ~400g              | ~600g              | ~600g              |
| 操作溫度 | -20°C~40°C          | -20°C~40°C          | -20°C~40°C         | -20°C~40°C         | -20°C~40°C         | -20°C~40°C         |
| 驅動器  | PSU outside         | PSU outside         | PSU outside        | PSU outside        | PSU outside        | PSU outside        |